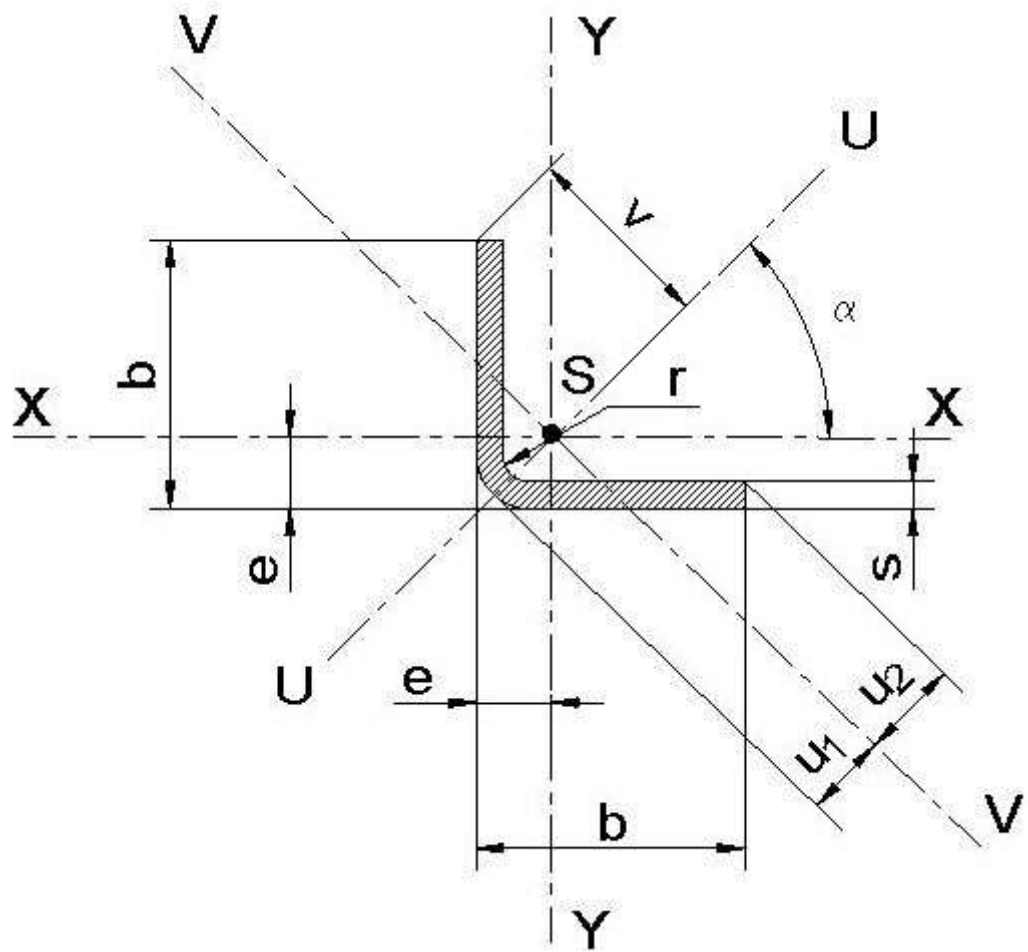
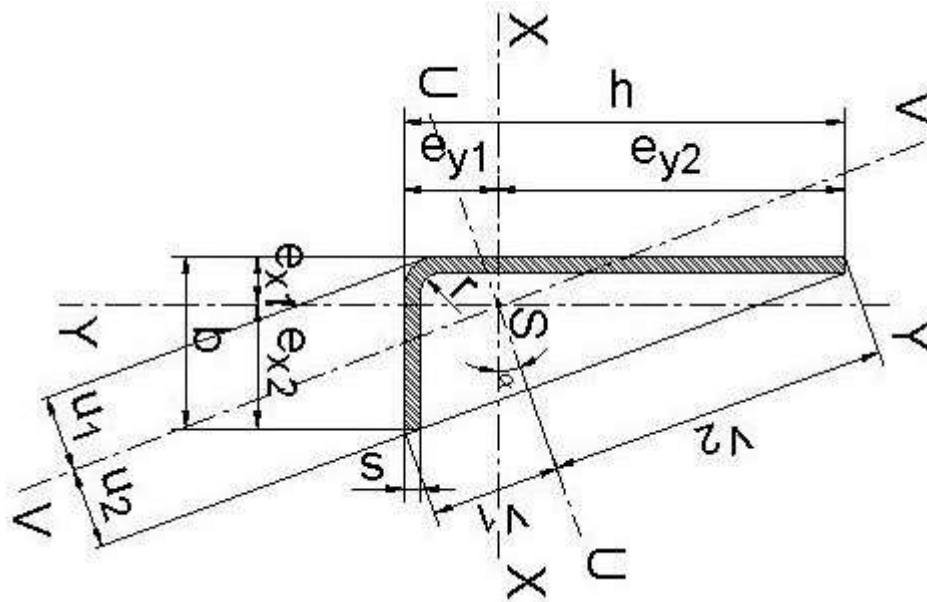


r - a belső hajlítási sugár, mm
 s - a szelvény falvastagsága, mm
 A - a keresztmetszet felülete, cm^2
 M - a szelvény egységnyi tömege, kg/m
 S - a keresztmetszet súlypontja
 X, Y - a keresztmetszet súlypontján átmenő koordinátarendszer tengelyei
 U, V - a keresztmetszet súlypontján átmenő főtengelyek
 $e_{x1} e_{y1}$ - a keresztmetszet súlypontjának koordinátái, cm
 $e_{x2} e_{y2}$ - a szélső szálak távolsága az x- és y-tengelyektől, cm
 $u_1 u_2$ - a szélső szálak távolsága a v-tengelytől, cm
 $v_1 v_2$ - a szélső szálak távolsága az u-tengelytől, cm
 I_x - a keresztmetszet tehetetlenségi nyomatéka az x-tengelyre, cm^4
 I_y - a keresztmetszet tehetetlenségi nyomatéka az y-tengelyre, cm^4
 I_u - a keresztmetszet tehetetlenségi nyomatéka az u-tengelyre, cm^4
 I_v - a keresztmetszet tehetetlenségi nyomatéka a v-tengelyre, cm^4
 K_x - a keresztmetszeti tényező az x-tengelyre, cm^3
 K_y - a keresztmetszeti tényező az y-tengelyre, cm^3
 K_u - a keresztmetszeti tényező az u-tengelyre, cm^3
 K_v - a keresztmetszeti tényező a v-tengelyre, cm^3
 α - a főtengelyek hajlásszöge az x- és y-tengelyekhez
 $\text{tg } \alpha$ - a főtengelyek hajlásszögének tangense
 I_T - csavarási inercianyomaték, cm^4

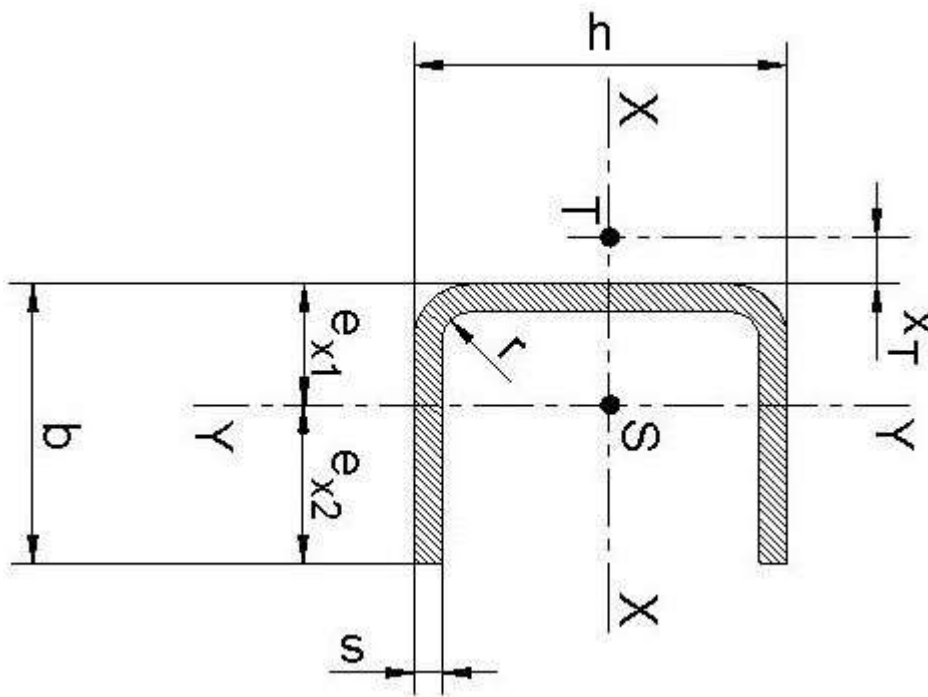


b	s	r	e	A	M	u₁	u₂	v	I_x	K_x	I_y	K_y	tg(α)	I_u	K_u	I_v	K_v	I_T
(mm)	(mm)	(mm)	(cm)	(cm²)	(kg/m)	(cm)	(cm)	(cm)	(cm⁴)	(cm³)	(cm⁴)	(cm³)		(cm⁴)	(cm³)	(cm⁴)	(cm³)	(cm⁴)
30	2	2	0,842	1,1342	0,8903	1,0251	1,072	2,1213	1,0034	0,465	1,0034	0,465	1	1,6276	0,7673	0,3792	0,3537	0,015
30	2,5	2,5	0,8653	1,3973	1,0969	1,0166	1,0744	2,1213	1,2183	0,5707	1,2183	0,5707	1	1,9834	0,935	0,4532	0,4218	0,029
30	3	3	0,8887	1,6521	1,2969	1,0083	1,0766	2,1213	1,4197	0,6724	1,4197	0,6724	1	2,3198	1,0936	0,5196	0,4826	0,05
35	2	2	0,9669	1,3342	1,0473	1,2017	1,2489	2,4749	1,6199	0,6395	1,6199	0,6395	1	2,6222	1,0595	0,6176	0,4945	0,018
35	2,5	2,5	0,9901	1,6473	1,2931	1,1931	1,2514	2,4749	1,9752	0,787	1,9752	0,787	1	3,2073	1,2959	0,7431	0,5938	0,034
35	3	3	1,0134	1,9521	1,5324	1,1846	1,2538	2,4749	2,3118	0,9297	2,3118	0,9297	1	3,7656	1,5215	0,858	0,6843	0,059
35	4	4	1,0604	2,537	1,9915	1,1683	1,2581	2,4749	2,931	1,2014	2,931	1,2014	1	4,8046	1,9413	1,0574	0,8405	0,135
40	2	2	1,0918	1,5342	1,2043	1,3784	1,4258	2,8284	2,4481	0,8418	2,4481	0,8418	1	3,9569	1,399	0,9393	0,6588	0,021
40	2,5	2,5	1,1149	1,8973	1,4894	1,3696	1,4285	2,8284	2,9946	1,038	2,9946	1,038	1	4,8531	1,7158	1,1361	0,7953	0,04
40	3	3	1,1382	2,2521	1,7679	1,3611	1,4309	2,8284	3,5162	1,2287	3,5162	1,2287	1	5,7139	2,0202	1,3185	0,9214	0,068
40	4	4	1,185	2,937	2,3055	1,3445	1,4354	2,8284	4,4871	1,594	4,4871	1,594	1	7,332	2,5923	1,6422	1,1441	0,157
45	2,5	2,5	1,2398	2,1473	1,6856	1,5462	1,6054	3,182	4,3155	1,3237	4,3155	1,3237	1	6,9834	2,1947	1,6476	1,0263	0,045
45	3	3	1,263	2,5521	2,0034	1,5376	1,608	3,182	5,0797	1,5693	5,0797	1,5693	1	8,2396	2,5894	1,9198	1,1939	0,077
45	4	4	1,3096	3,337	2,6195	1,5207	1,6128	3,182	6,5149	2,042	6,5149	2,042	1	10,6192	3,3373	2,4106	1,4947	0,178
50	2,5	2,5	1,3647	2,3973	1,8819	1,7229	1,7823	3,5355	5,9769	1,6441	5,9769	1,6441	1	9,6605	2,7324	2,2933	1,2867	0,05
50	3	3	1,3879	2,8521	2,2389	1,7143	1,7849	3,5355	7,0492	1,9516	7,0492	1,9516	1	11,4179	3,2295	2,6805	1,5018	0,086
50	4	4	1,4344	3,737	2,9335	1,6972	1,7898	3,5355	9,0771	2,5457	9,0771	2,5457	1	14,7666	4,1767	3,3876	1,8927	0,199
50	5	5	1,4812	4,589	3,6024	1,6805	1,7944	3,5355	10,9547	3,1132	10,9547	3,1132	1	17,9002	5,063	4,0092	2,2343	0,382
55	2,5	2,5	1,4896	2,6473	2,0781	1,8995	1,9593	3,8891	8,0179	1,9993	8,0179	1,9993	1	12,9469	3,329	3,0889	1,5765	0,055
55	3	3	1,5127	3,1521	2,4744	1,8907	1,9619	3,8891	9,4715	2,3754	9,4715	2,3754	1	15,3236	3,9401	3,6194	1,8448	0,095
55	4	4	1,5592	4,137	3,2475	1,8737	1,9669	3,8891	12,236	3,105	12,236	3,105	1	19,8739	5,1102	4,5981	2,3377	0,221
60	2,5	2,5	1,6146	2,8973	2,2744	2,0763	2,136	4,2426	10,4775	2,3892	10,4775	2,3892	1	16,9052	3,9846	4,0498	1,896	0,06
60	3	3	1,6376	3,4521	2,7099	2,0674	2,1389	4,2426	12,3936	2,841	12,3936	2,841	1	20,0318	4,7216	4,7554	2,2233	0,104
60	4	4	1,684	4,537	3,5615	2,0502	2,1439	4,2426	16,0543	3,7197	16,0543	3,7197	1	26,0413	6,1381	6,0673	2,83	0,242
60	5	5	1,7306	5,589	4,3874	2,0332	2,1488	4,2426	19,4925	4,5656	19,4925	4,5656	1	31,7336	7,4798	7,2514	3,3746	0,466
70	2,5	2,5	1,8645	3,3973	2,6669	2,4297	2,4897	4,9497	16,8091	3,2731	16,8091	3,2731	1	27,0875	5,4726	6,5307	2,6231	0,071
70	3	3	1,8875	4,0521	3,1809	2,4208	2,4926	4,9497	19,9246	3,8972	19,9246	3,8972	1	32,1559	6,4965	7,6933	3,0865	0,122
70	4	4	1,9337	5,337	4,1895	2,4033	2,4979	4,9497	25,9186	5,1159	25,9186	5,1159	1	41,956	8,4765	9,8812	3,9558	0,285
70	5	5	1,9802	6,589	5,1724	2,3862	2,5029	4,9497	31,6039	6,2958	31,6039	6,2958	1	51,3169	10,368	11,8909	4,7508	0,549
80	3	3	2,1374	4,6521	3,6519	2,7742	2,8462	5,6569	30,0171	5,1201	30,0171	5,1201	1	48,3899	8,5541	11,6443	4,0912	0,14
80	4	4	2,1835	6,137	4,8175	2,7566	2,8518	5,6569	39,17	6,7343	39,17	6,7343	1	63,3106	11,192	15,0294	5,2701	0,327
80	5	5	2,2298	7,589	5,9574	2,7392	2,857	5,6569	47,9139	8,3037	47,9139	8,3037	1	77,6502	13,727	18,1776	6,3625	0,632
100	4	4	2,6832	7,737	6,0735	3,4632	3,5593	7,0711	77,8342	10,6377	77,8342	10,638	1	125,54	17,754	30,1284	8,4647	0,413
100	5	5	2,7294	9,589	7,5274	3,4457	3,5647	7,0711	95,6298	13,1529	95,6298	13,153	1	154,567	21,859	36,6927	10,293	0,799
125	4	4	3,308	9,737	7,6435	4,3468	4,4435	8,8388	154,1232	16,7671	154,123	16,767	1	248,177	28,078	60,0698	13,519	0,519
125	5	5	3,3541	12,089	9,4899	4,3292	4,449	8,8388	190,0248	20,777	190,025	20,777	1	306,494	34,676	73,5556	16,533	1,007
140	4	4	3,6829	10,937	8,5855	4,877	4,9739	9,8995	217,808	21,1114	217,808	21,111	1	350,479	35,404	85,1374	17,117	0,583
140	5	5	3,7289	13,589	10,6674	4,8592	4,9796	9,8995	268,9452	26,1847	268,945	26,185	1	433,4	43,78	104,49	20,984	1,132



h	b	s	r	A	M	e_{x1}	e_{y1}	e_{x2}	e_{y2}	I_x	I_y	$tg(\alpha)$	u_1	u_2	v_1	v_2	K_x	K_y	I_u	K_u	I_v	K_v	I_r
(mm)	(mm)	(mm)	(mm)	(cm ²)	(kg/m)	(cm)	(cm)	(cm)	(cm)	(cm ⁴)	(cm ⁴)		(cm)	(cm)	(cm)	(cm)	(cm)	(cm ³)	(cm ⁴)	(cm ³)	(cm ⁴)	(cm ³)	(cm ⁴)
40	20	2	2	1,134	0,8903	0,419	1,442	1,581	2,5585	1,9146	0,3446	0,284	0,703	1,182	1,819	2,4722	0,7483	0,2179	1,9146	0,7745	0,3446	0,2915	0,015
40	20	2,5	2,5	1,397	1,0969	0,44	1,469	1,56	2,5308	2,3267	0,4154	0,285	0,708	1,166	1,84	2,4644	0,9194	0,2664	2,3267	0,9441	0,4154	0,3561	0,029
40	20	3	3	1,652	1,2969	0,462	1,497	1,538	2,5029	2,713	0,481	0,285	0,713	1,151	1,862	2,4564	1,0839	0,3127	2,713	1,1045	0,481	0,418	0,05
45	30	2	2	1,434	1,1258	0,687	1,45	2,313	3,0497	3,0659	1,135	0,463	1,101	1,575	2,287	2,6823	1,0053	0,4907	3,0659	1,143	1,135	0,7208	0,019
45	30	2,5	2,5	1,772	1,3913	0,709	1,476	2,291	3,0243	3,7489	1,3823	0,463	1,1	1,564	2,302	2,6876	1,2396	0,6033	3,7489	1,3949	1,3823	0,884	0,037
45	30	3	3	2,102	1,6501	0,731	1,501	2,269	2,9987	4,3995	1,6161	0,464	1,098	1,553	2,317	2,6924	1,4671	0,7121	4,3995	1,634	1,6161	1,041	0,063
45	30	4	4	2,737	2,1485	0,775	1,553	2,225	2,9471	5,6062	2,0459	0,467	1,095	1,529	2,348	2,7016	1,9023	0,9194	5,6062	2,0751	2,0459	1,338	0,146
50	25	2	2	1,434	1,1258	0,502	1,775	1,998	3,2255	3,8234	0,693	0,284	0,873	1,493	2,253	3,0975	1,1854	0,3468	3,8234	1,2344	0,693	0,4643	0,019
50	25	2,5	2,5	1,772	1,3913	0,524	1,802	1,977	3,1981	4,6743	0,8413	0,284	0,878	1,478	2,273	3,0902	1,4616	0,4257	4,6743	1,5126	0,8413	0,5694	0,037
50	25	3	3	2,102	1,6501	0,545	1,83	1,955	3,1705	5,4843	0,9806	0,284	0,883	1,462	2,294	3,0826	1,7298	0,5016	5,4843	1,7791	0,9806	0,6707	0,063
50	30	2	2	1,534	1,2043	0,649	1,665	2,352	3,3347	4,0859	1,1675	0,385	1,086	1,669	2,398	3,0602	1,2253	0,4965	4,0859	1,3352	1,1675	0,6995	0,021
50	30	2,5	2,5	1,897	1,4894	0,67	1,691	2,33	3,3086	5,0033	1,4227	0,385	1,087	1,656	2,416	3,0601	1,5122	0,6107	5,0033	1,635	1,4227	0,8591	0,04
50	30	3	3	2,252	1,7679	0,692	1,718	2,308	3,2824	5,8803	1,6644	0,386	1,088	1,643	2,433	3,06	1,7915	0,7211	5,8803	1,9217	1,6644	1,013	0,068
50	40	2	2	1,734	1,3613	0,977	1,485	3,023	3,5152	4,5201	2,6228	0,647	1,474	1,841	2,888	2,6374	1,2859	0,8677	4,5201	1,5651	2,6228	1,4248	0,023
50	40	3	3	2,552	2,0034	1,022	1,533	2,978	3,4666	6,5332	3,7769	0,648	1,462	1,829	2,906	2,6705	1,8846	1,2683	6,5332	2,248	3,7769	2,0655	0,077
50	40	4	4	3,337	2,6195	1,067	1,582	2,933	3,4177	8,3892	4,8339	0,65	1,45	1,816	2,925	2,7032	2,4546	1,6481	8,3892	2,8684	4,8339	2,6621	0,178
60	30	2	2	1,734	1,3613	0,585	2,108	2,415	3,8924	6,7043	1,2214	0,283	1,044	1,803	2,686	3,7229	1,7224	0,5058	6,7043	1,8008	1,2214	0,6773	0,023
60	30	2,5	2,5	2,147	1,6856	0,607	2,135	2,393	3,8652	8,2283	1,4897	0,284	1,049	1,788	2,707	3,7155	2,1288	0,6224	8,2283	2,2146	1,4897	0,8332	0,045
60	30	3	3	2,552	2,0034	0,628	2,162	2,372	3,8377	9,6927	1,7444	0,284	1,054	1,773	2,728	3,7082	2,5257	0,7355	9,6927	2,6139	1,7444	0,9839	0,077
60	40	2,5	2,5	2,397	1,8819	0,909	1,925	3,092	4,0748	9,1341	3,385	0,462	1,469	2,103	3,045	3,5747	2,2416	1,0949	9,1341	2,5552	3,385	1,6095	0,05

60	40	3	3	2,852	2,2389	0,93	1,951	3,07	4,0494	10,7819	3,9833	0,463	1,467	2,092	3,06	3,5797	2,6626	1,2976	10,7819	3,012	3,9833	1,904	0,086
60	40	4	4	3,737	2,9335	0,974	2,002	3,026	3,9983	13,9047	5,1077	0,464	1,464	2,07	3,09	3,5899	3,4777	1,688	13,9047	3,8733	5,1077	2,4675	0,199
60	50	2,5	2,5	2,647	2,0781	1,248	1,755	3,752	4,2448	9,8691	6,3261	0,699	1,832	2,213	3,589	3,0162	2,325	1,6859	9,8691	2,7501	6,3261	2,8586	0,055
60	50	3	3	3,152	2,4744	1,27	1,779	3,73	4,2208	11,6643	7,4673	0,7	1,825	2,209	3,596	3,0363	2,7635	2,002	11,6643	3,2438	7,4673	3,381	0,095
60	50	4	4	4,137	3,2475	1,315	1,828	3,685	4,1725	15,0829	9,633	0,701	1,811	2,199	3,611	3,0749	3,6148	2,6141	15,0829	4,1766	9,633	4,3812	0,221
70	30	2,5	2,5	2,397	1,8819	0,557	2,59	2,444	4,4099	12,516	1,5429	0,221	1,006	1,881	3,056	4,3111	2,8382	0,6314	12,516	2,9032	1,5429	0,8203	0,05
70	30	3	3	2,852	2,2389	0,578	2,619	2,422	4,3815	14,7687	1,8081	0,221	1,014	1,865	3,08	4,2988	3,3707	0,7465	14,7687	3,4355	1,8081	0,9696	0,086
70	30	4	4	3,737	2,9335	0,621	2,676	2,379	4,324	19,0289	2,3011	0,221	1,03	1,831	3,127	4,2732	4,4008	0,9672	19,0289	4,4531	2,3011	1,2565	0,199
70	35	3	3	3,002	2,3566	0,711	2,495	2,789	4,5048	15,6382	2,8287	0,284	1,224	2,084	3,162	4,3336	3,4715	1,0144	15,6382	3,6086	2,8287	1,3576	0,09
70	40	2,5	2,5	2,647	2,0781	0,835	2,357	3,166	4,6427	13,893	3,5253	0,354	1,435	2,282	3,278	4,3136	2,9924	1,1137	13,893	3,2207	3,5253	1,5451	0,055
70	40	3	3	3,152	2,4744	0,856	2,384	3,144	4,6164	16,4251	4,1508	0,354	1,437	2,268	3,297	4,3116	3,558	1,3202	16,4251	3,8095	4,1508	1,83	0,095
70	40	4	4	4,137	3,2475	0,899	2,437	3,101	4,5634	21,2493	5,3296	0,355	1,441	2,241	3,334	4,3072	4,6565	1,7188	21,2493	4,9334	5,3296	2,3785	0,221
80	40	3	3	3,452	2,7099	0,795	2,828	3,205	5,1718	23,6209	4,2896	0,283	1,395	2,395	3,595	4,9592	4,5672	1,3383	23,6209	4,763	4,2896	1,7914	0,104
80	40	4	4	4,537	3,5615	0,838	2,883	3,162	5,117	30,6337	5,5132	0,284	1,405	2,364	3,637	4,9443	5,9867	1,7434	30,6337	6,1958	5,5132	2,3321	0,242
100	50	2	2	2,934	2,3033	0,919	3,44	4,082	6,5596	31,9484	5,8842	0,283	1,727	3,045	4,422	6,2232	4,8705	1,4417	31,9484	5,1338	5,8842	1,9327	0,039
100	50	3	3	4,352	3,4164	0,961	3,495	4,039	6,5055	46,8975	8,5666	0,283	1,736	3,015	4,463	6,2093	7,2089	2,1211	46,8975	7,5528	8,5666	2,8412	0,131
100	50	4	4	5,737	4,5035	1,004	3,549	3,996	6,4511	61,175	11,0888	0,284	1,746	2,985	4,505	6,1951	9,4829	2,775	61,175	9,8747	11,0888	3,7146	0,306
100	50	5	5	7,089	5,5649	1,047	3,604	3,953	6,3962	74,7893	13,4601	0,284	1,756	2,955	4,547	6,1804	11,693	3,405	74,7893	12,101	13,4601	4,5549	0,591
100	60	3	3	4,652	3,6519	1,254	3,279	4,746	6,7212	50,0391	14,3733	0,384	2,171	3,363	4,763	6,1192	7,445	3,0284	50,0391	8,1774	14,3733	4,2746	0,14
100	60	4	4	6,137	4,8175	1,297	3,331	4,703	6,6693	65,3741	18,6805	0,385	2,172	3,338	4,796	6,1203	9,8022	3,9721	65,3741	10,682	18,6805	5,5967	0,327
100	60	5	5	7,589	5,9574	1,34	3,383	4,66	6,6172	80,0531	22,763	0,385	2,174	3,312	4,831	6,1202	12,098	4,8852	80,0531	13,08	22,763	6,8731	0,632
100	80	3	3	5,252	4,1229	1,91	2,921	6,09	7,0786	55,2462	32,1207	0,646	2,96	3,694	5,758	5,2416	7,8047	5,2746	55,2462	9,5947	32,1207	8,6963	0,158
100	80	4	4	6,937	5,4455	1,955	2,97	6,045	7,0304	72,3214	41,9651	0,647	2,948	3,682	5,776	5,2747	10,287	6,9419	72,3214	12,521	41,9651	11,399	0,37
100	80	5	5	8,589	6,7424	1,999	3,018	6,001	6,9819	88,7458	51,3981	0,647	2,935	3,67	5,794	5,3086	12,711	8,5654	88,7458	15,317	51,3981	14,005	0,716
120	50	2	2	3,334	2,6173	0,82	4,347	4,18	7,6527	52,1984	6,1214	0,212	1,628	3,231	5,119	7,4328	6,8209	1,4646	52,1984	7,0227	6,1214	1,8945	0,045
120	50	3	3	4,952	3,8874	0,863	4,404	4,137	7,5961	76,8019	8,9181	0,211	1,644	3,199	5,165	7,4072	10,111	2,1556	76,8019	10,369	8,9181	2,7879	0,149
120	50	4	4	6,537	5,1315	0,906	4,461	4,094	7,5392	100,421	11,5534	0,211	1,66	3,166	5,212	7,3814	13,32	2,8218	100,421	13,605	11,5534	3,6487	0,349
120	50	5	5	8,089	6,3499	0,949	4,518	4,052	7,4819	123,064	14,0376	0,211	1,677	3,133	5,259	7,3548	16,448	3,4648	123,064	16,733	14,0376	4,4801	0,674
120	80	5	5	9,589	7,5274	1,817	3,851	6,183	8,1495	146,146	54,16	0,462	2,938	4,207	6,09	7,1493	17,933	8,7594	146,146	20,442	54,16	12,875	0,799
125	80	4	4	7,937	6,2305	1,734	4,013	6,266	8,4871	132,768	44,6698	0,43	2,926	4,332	6,16	7,536	15,644	7,1286	132,768	17,618	44,6698	10,312	0,423
125	80	5	5	9,839	7,7236	1,777	4,064	6,223	8,4361	163,341	54,7634	0,43	2,925	4,308	6,192	7,5422	19,362	8,8003	163,341	21,657	54,7634	12,711	0,82
140	80	4	4	8,537	6,7015	1,626	4,662	6,374	9,3379	180,477	45,9899	0,353	2,866	4,59	6,52	8,6308	19,327	7,2151	180,477	20,911	45,9899	10,02	0,455
140	80	5	5	10,59	8,3124	1,669	4,715	6,331	9,2855	222,288	56,4042	0,354	2,869	4,563	6,555	8,6273	23,939	8,9091	222,288	25,766	56,4042	12,36	0,882
160	80	4	4	9,337	7,3295	1,504	5,548	6,496	10,452	258,916	47,4877	0,283	2,771	4,848	7,108	9,946	24,772	7,31	258,916	26,032	47,4877	9,7959	0,498
160	80	5	5	11,59	9,0974	1,547	5,602	6,454	10,398	319,283	58,2646	0,283	2,78	4,818	7,148	9,9323	30,706	9,0284	319,283	32,146	58,2646	12,092	0,966
160	100	4	4	10,14	7,9575	2,095	5,126	7,905	10,874	280,001	89,1619	0,412	3,645	5,51	7,75	9,7018	25,749	11,28	280,001	28,861	89,1619	16,182	0,541
160	100	5	5	12,59	9,8824	2,139	5,177	7,861	10,823	345,673	109,74	0,412	3,644	5,486	7,782	9,7067	31,939	13,959	345,673	35,612	109,74	20,002	1,049
180	100	4	4	10,94	8,5855	1,957	5,994	8,043	12,006	384,814	91,8361	0,337	3,554	5,837	8,248	11,136	32,053	11,418	384,814	34,555	91,8361	15,734	0,583
180	100	5	5	13,59	10,667	2	6,047	8	11,953	475,505	113,065	0,337	3,559	5,809	8,287	11,13	39,781	14,132	475,505	42,723	113,065	19,462	1,132

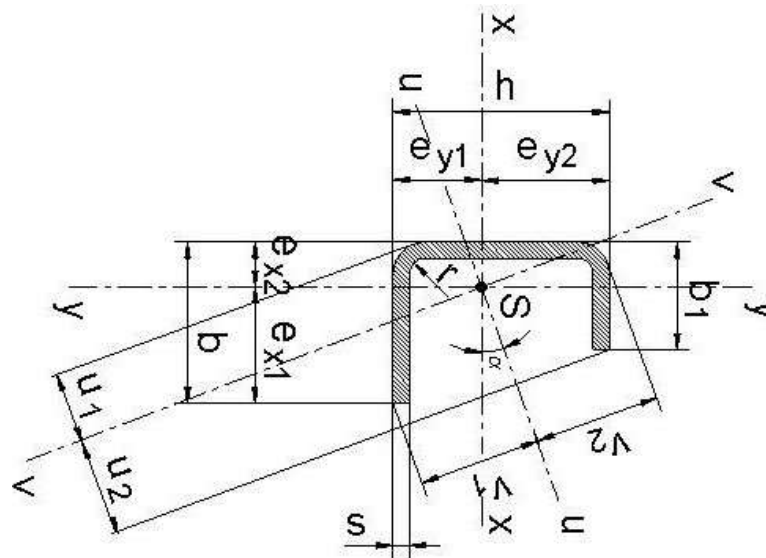


h	b	s	r	A	M	e _{x1}	e _{x2}	I _x	K _x	I _y	K _y	I _T	X _T
(mm)	(mm)	(mm)	(mm)	(cm ²)	(kg/m)	(cm)	(cm)	(cm ⁴)	(cm ³)	(cm ⁴)	(cm ³)	(cm ⁴)	(cm)
20	20	1,5	1,5	0,826	0,6484	0,7895	1,2105	0,5486	0,5486	0,3425	0,2829	0,0062	0,7726
20	20	2	2	1,0685	0,8388	0,8325	1,1675	0,6714	0,6714	0,4335	0,3713	0,0142	0,7353
22	22	2	2	1,1885	0,933	0,8984	1,3016	0,9222	0,8384	0,5881	0,4518	0,0158	0,8244
23	23	1,5	1,5	0,961	0,7544	0,8889	1,4111	0,8623	0,7498	0,5315	0,3767	0,0072	0,9037
23	23	2	2	1,2485	0,9801	0,9314	1,3686	1,0681	0,9288	0,6775	0,495	0,0166	0,8687
23	23	2,5	2,5	1,5195	1,1928	0,9749	1,3251	1,2383	1,0768	0,8092	0,6107	0,0317	0,8292
25	25	1,5	1,5	1,051	0,825	0,9553	1,5447	1,1268	0,9014	0,6899	0,4466	0,0079	0,9908
25	25	2	2	1,3685	1,0743	0,9975	1,5025	1,4047	1,1238	0,8827	0,5875	0,0182	0,957
25	25	2,5	2,5	1,6695	1,3106	1,0406	1,4594	1,6392	1,3114	1,0584	0,7252	0,0348	0,9191
28	28	1,5	1,5	1,186	0,931	1,055	1,745	1,6171	1,1551	0,9822	0,5629	0,0089	1,121
28	28	2	2	1,5485	1,2156	1,0968	1,7032	2,0315	1,4511	1,2623	0,7411	0,0206	1,0886
30	30	1,5	1,5	1,276	1,0017	1,1214	1,8786	2,0126	1,3417	1,217	0,6478	0,0096	1,2075
30	30	2	2	1,6685	1,3098	1,1631	1,8369	2,539	1,6927	1,5679	0,8536	0,0222	1,1759
30	30	2,5	2,5	2,0445	1,6049	1,2055	1,7945	2,9998	1,9999	1,8935	1,0552	0,0426	1,1412
30	30	3	3	2,4041	1,8872	1,2487	1,7513	3,399	2,266	2,1947	1,2532	0,0721	1,103
35	35	1,5	1,5	1,501	1,1783	1,2877	2,2123	3,2716	1,8695	1,9613	0,8865	0,0113	1,4235
35	35	2	2	1,9685	1,5453	1,3291	2,1709	4,1618	2,3782	2,5392	1,1697	0,0262	1,3934
35	35	2,5	2,5	2,4195	1,8993	1,371	2,129	4,9598	2,8342	3,0818	1,4475	0,0504	1,3607
35	35	3	3	2,8541	2,2405	1,4136	2,0864	5,67	3,24	3,5904	1,7209	0,0856	1,3252
40	40	1,5	1,5	1,726	1,3549	1,4541	2,5459	4,9696	2,4848	2,9601	1,1627	0,0129	1,639
40	40	2	2	2,2685	1,7808	1,4952	2,5048	6,3608	3,1804	3,8464	1,5356	0,0302	1,61
40	40	2,5	2,5	2,7945	2,1937	1,5368	2,4632	7,6284	3,8142	4,6857	1,9023	0,0582	1,5788
40	40	2,8	3	3,0974	2,4315	1,568	2,432	8,3128	4,1564	5,1584	2,1211	0,0809	1,5596
40	40	3	3	3,3041	2,5937	1,579	2,421	8,7778	4,3889	5,4797	2,2634	0,0991	1,5452
40	40	4	4	4,274	3,3551	1,6649	2,3351	10,7427	5,3713	6,9362	2,9704	0,2279	1,4706
50	50	2,5	2,5	3,5445	2,7824	1,8691	3,1309	15,5292	6,2117	9,3907	2,9994	0,0738	2,0125
50	50	2,8	3	3,9374	3,0909	1,8998	3,1002	17,0216	6,8086	10,3744	3,3464	0,1029	1,9953
50	50	3	3	4,2041	3,3002	1,9106	3,0894	18,0286	7,2114	11,039	3,5732	0,1261	1,9815
50	50	4	4	5,474	4,2971	1,995	3,005	22,4746	8,9898	14,1232	4,6999	0,2919	1,9139
60	60	2,8	3	4,7774	3,7503	2,2321	3,7679	30,3424	10,1141	18,2798	4,8515	0,1249	2,4285
60	60	3	3	5,1041	4,0067	2,2429	3,7571	32,2014	10,7338	19,4726	5,1829	0,1531	2,415
60	60	4	4	6,674	5,2391	2,3262	3,6738	40,6235	13,5412	25,0865	6,8285	0,3559	2,3518
60	60	5	5	8,1781	6,4198	2,411	3,589	47,9972	15,9991	30,2959	8,4413	0,6815	2,2823
65	65	3	3	5,5541	4,36	2,4091	4,0909	41,4617	12,7574	24,9546	6,1	0,1666	2,6311
70	70	3	3	6,0041	4,7132	2,5755	4,4245	52,3463	14,9561	31,3804	7,0924	0,1801	2,847
70	70	4	4	7,874	6,1811	2,6582	4,3418	66,5895	19,0256	40,6265	9,3571	0,4199	2,7868
70	70	5	5	9,6781	7,5973	2,742	4,258	79,3563	22,6732	49,3086	11,5802	0,8065	2,7214
80	80	3	3	6,9041	5,4197	2,9083	5,0917	79,5133	19,8783	47,3625	9,3019	0,2071	3,2781
80	80	4	4	9,074	7,1231	2,9905	5,0095	101,7724	25,4431	61,5429	12,2852	0,4839	3,22
80	80	5	5	11,178	8,7748	3,0737	4,9263	122,0544	30,5136	74,9721	15,2187	0,9315	3,1576
90	90	3	3	7,8041	6,1262	3,2412	5,7588	114,7523	25,5005	68,0188	11,8113	0,2341	3,7086
90	90	4	4	10,274	8,0651	3,3231	5,6769	147,5723	32,7938	88,6358	15,6134	0,5479	3,6521
90	90	5	5	12,678	9,9523	3,4058	5,5942	177,8415	39,5203	108,2863	19,3569	1,0565	3,5919
100	100	3	3	8,7041	6,8327	3,5742	6,4258	159,1134	31,8227	93,9494	14,6207	0,2611	4,1386

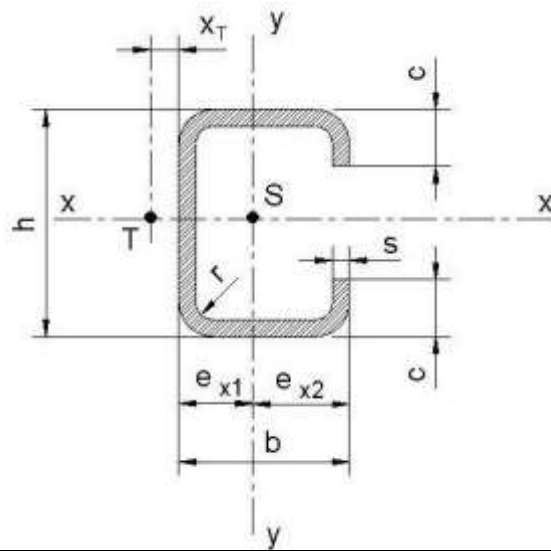
100	100	4	4	11,474	9,0071	3,6558	6,3442	205,3892	41,0778	122,705	19,3413	0,6119	4,0835
100	100	5	5	14,178	11,1298	3,7381	6,2619	248,4677	49,6935	150,251	23,9945	1,1815	4,025
120	120	3	3	10,504	8,2457	4,2404	7,7596	279,4017	46,567	164,0333	21,1394	0,3151	4,998
120	120	4	4	13,874	10,8911	4,3216	7,6784	362,6739	60,4457	214,973	27,9971	0,7399	4,9447
120	120	5	5	17,178	13,4848	4,4033	7,5967	441,2373	73,5396	264,1328	34,7694	1,4315	4,8888
40	20	1,5	1,5	1,126	0,8839	0,5897	1,4103	2,7451	1,3725	0,4448	0,3154	0,0084	0,6681
40	20	2	2	1,4685	1,1528	0,6193	1,3807	3,4701	1,735	0,5726	0,4147	0,0196	0,6378
40	20	2,5	2,5	1,7945	1,4087	0,6486	1,3514	4,1076	2,0538	0,6921	0,5121	0,0374	0,6061
40	25	1,5	1,5	1,276	1,0017	0,7934	1,7066	3,3012	1,6506	0,8223	0,4818	0,0096	0,9072
40	25	2	2	1,6685	1,3098	0,8264	1,6736	4,1928	2,0964	1,0614	0,6342	0,0222	0,8774
40	25	2,5	2,5	2,0445	1,6049	0,8596	1,6404	4,9878	2,4939	1,2851	0,7834	0,0426	0,8458
40	25	3	3	2,4041	1,8872	0,8929	1,6071	5,6908	2,8454	1,4945	0,9299	0,0721	0,8123
40	30	1,5	1,5	1,426	1,1194	1,0071	1,9929	3,8573	1,9286	1,354	0,6794	0,0107	1,1495
40	30	2	2	1,8685	1,4668	1,0433	1,9567	4,9154	2,4577	1,7521	0,8954	0,0249	1,12
40	30	2,5	2,5	2,2945	1,8012	1,0797	1,9203	5,868	2,934	2,1262	1,1072	0,0478	1,0885
40	30	3	3	2,7041	2,1227	1,1164	1,8836	6,7198	3,3599	2,4774	1,3152	0,0811	1,0551
40	35	2	2	2,0685	1,6238	1,2668	2,2332	5,6381	2,819	2,6717	1,1964	0,0276	1,3644
40	35	2,5	2,5	2,5445	1,9974	1,306	2,194	6,7482	3,3741	3,2488	1,4808	0,053	1,3331
40	35	3	3	3,0041	2,3582	1,3457	2,1543	7,7488	3,8744	3,7928	1,7606	0,0901	1,2996
40	35	4	4	3,874	3,0411	1,4264	2,0736	9,4413	4,7207	4,7847	2,3074	0,2066	1,2254
46	45	3	3	3,7841	2,9705	1,7313	2,7687	13,5186	5,8777	8,0064	2,8918	0,1135	1,7582
50	25	2	2	1,8685	1,4668	0,7446	1,7554	7,0735	2,8294	1,15	0,6551	0,0249	0,8277
50	25	2,5	2,5	2,2945	1,8012	0,7741	1,7259	8,4719	3,3888	1,398	0,81	0,0478	0,7973
50	30	2	2	2,0685	1,6238	0,9477	2,0523	8,2262	3,2905	1,9017	0,9266	0,0276	1,0665
50	30	2,5	2,5	2,5445	1,9974	0,9801	2,0199	9,8834	3,9534	2,3153	1,1462	0,053	1,0365
50	30	2,8	3	2,8174	2,2117	1,0033	1,9967	10,7764	4,3106	2,5491	1,2767	0,0736	1,0188
50	30	3	3	3,0041	2,3582	1,0126	1,9874	11,3926	4,557	2,7074	1,3623	0,0901	1,0051
50	30	4	4	3,874	3,0411	1,0776	1,9224	13,9893	5,5957	3,4312	1,7849	0,2066	0,9377
50	35	2	2	2,2685	1,7808	1,1595	2,3405	9,3788	3,7515	2,9025	1,2401	0,0302	1,3081
50	35	2,5	2,5	2,7945	2,1937	1,1945	2,3055	11,2949	4,518	3,5397	1,5353	0,0582	1,2783
50	35	3	3	3,3041	2,5937	1,2297	2,2703	13,0516	5,2206	4,1451	1,8258	0,0991	1,2471
50	35	4	4	4,274	3,3551	1,3006	2,1994	16,1106	6,4442	5,2656	2,3941	0,2279	1,1796
50	40	2	2	2,4685	1,9378	1,3777	2,6223	10,5315	4,2126	4,1796	1,5939	0,0329	1,5515
50	40	2,5	2,5	3,0445	2,3899	1,415	2,585	12,7063	5,0825	5,105	1,9749	0,0634	1,5219
50	40	2,8	3	3,3774	2,6513	1,4424	2,5576	13,899	5,5596	5,631	2,2017	0,0883	1,5046
50	40	3	3	3,6041	2,8292	1,4526	2,5474	14,7106	5,8842	5,9866	2,3501	0,1081	1,4908
50	40	4	4	4,674	3,6691	1,5286	2,4714	18,2319	7,2928	7,6242	3,085	0,2493	1,4233
54	45	4	4	5,234	4,1087	1,7089	2,7911	24,3761	9,0282	10,8973	3,9043	0,2791	1,6476
58	46	3,5	3,5	4,8473	3,8051	1,6685	2,9315	26,5471	9,1542	10,637	3,6285	0,1979	1,7085
60	30	2	2	2,2685	1,7808	0,8697	2,1303	12,5711	4,1904	2,0259	0,951	0,0302	1,0167
60	30	2,5	2,5	2,7945	2,1937	0,8994	2,1006	15,1711	5,057	2,4724	1,177	0,0582	0,9872
60	30	3	3	3,3041	2,5937	0,9289	2,0711	17,5674	5,8558	2,8988	1,3996	0,0991	0,9568
60	30	4	4	4,274	3,3551	0,9875	2,0125	21,7755	7,2585	3,6969	1,837	0,2279	0,8926
60	40	2	2	2,6685	2,0948	1,2784	2,7216	15,9365	5,3122	4,4637	1,6401	0,0356	1,4958
60	40	2,5	2,5	3,2945	2,5862	1,3125	2,6875	19,3065	6,4355	5,4622	2,0324	0,0686	1,467
60	40	2,8	3	3,6574	2,8711	1,3371	2,6629	21,174	7,058	6,0338	2,2659	0,0956	1,4505
60	40	3	3	3,9041	3,0647	1,3467	2,6533	22,4454	7,4818	6,4185	2,4191	0,1171	1,437
60	40	4	4	5,074	3,9831	1,4154	2,5846	28,0582	9,3527	8,2109	3,1769	0,2706	1,3733
60	45	3	3	4,2041	3,3002	1,5649	2,9351	24,8844	8,2948	8,8701	3,0221	0,1261	1,68
60	45	4	4	5,474	4,2971	1,6379	2,8621	31,1995	10,3998	11,3693	3,9724	0,2919	1,6164
60	50	2,5	2,5	3,7945	2,9787	1,7495	3,2505	23,4419	7,814	10,052	3,0924	0,0791	1,9537
60	50	3	3	4,5041	3,5357	1,7875	3,2125	27,3234	9,1078	11,8367	3,6846	0,1351	1,9241
60	50	4	4	5,874	4,6111	1,8643	3,1357	34,3409	11,447	15,1998	4,8473	0,3133	1,8607
60	50	5	5	7,1781	5,6348	1,9422	3,0578	40,4139	13,4713	18,2994	5,9845	0,5982	1,7915
62	45	4	4	5,554	4,3599	1,6157	2,8843	33,6908	10,868	11,5181	3,9934	0,2962	1,606
65	45	3	3	4,3541	3,418	1,5137	2,9863	29,9207	9,2064	9,1394	3,0604	0,1306	1,6527
65	45	4	4	5,674	4,4541	1,5836	2,9164	37,6365	11,5805	11,7338	4,0234	0,3026	1,5905
65	45	5	5	6,9281	5,4386	1,654	2,846	44,3271	13,6391	14,1287	4,9644	0,5773	1,5233
65	50	4	4	6,074	4,7681	1,8059	3,1941	41,3629	12,727	15,6873	4,9113	0,3239	1,8339
65	50	5	5	7,4281	5,8311	1,8804	3,1196	48,8375	15,0269	18,918	6,0642	0,619	1,7667
70	30	2,5	2,5	3,0445	2,3899	0,8326	2,1674	21,856	6,2446	2,6051	1,2019	0,0634	0,9412
70	30	2,8	3	3,3774	2,6513	0,8514	2,1486	23,9518	6,8434	2,8775	1,3392	0,0883	0,9247
70	30	3	3	3,6041	2,8292	0,86	2,14	25,3943	7,2555	3,0609	1,4303	0,1081	0,9113
70	30	4	4	4,674	3,6691	0,9142	2,0858	31,6988	9,0568	3,9237	1,8811	0,2493	0,8489
70	40	2,5	2,5	3,5445	2,7824	1,2252	2,7748	27,5539	7,8725	5,7705	2,0796	0,0738	1,4147
70	40	2,8	3	3,9374	3,0909	1,2476	2,7524	30,2776	8,6507	6,3813	2,3184	0,1029	1,3986
70	40	3	3	4,2041	3,3002	1,2568	2,7432	32,1323	9,1807	6,7913	2,4757	0,1261	1,3853
70	40	4	4	5,474	4,2971	1,32	2,68	40,4215	11,549	8,7181	3,253	0,2919	1,3237
70	45	4	4	5,874	4,6111	1,5332	2,9668	44,7828	12,7951	12,0748	4,07	0,3133	1,5647
70	50	2,5	2,5	4,0445	3,1749	1,6453	3,3547	33,2518	9,5005	10,6329	3,1696	0,0843	1,8971

70	50	2,8	3	4,4974	3,5305	1,6708	3,3292	36,6035	10,4581	11,7724	3,5361	0,1175	1,8815
70	50	3	3	4,8041	3,7712	1,6806	3,3194	38,8703	11,1058	12,5372	3,7769	0,1441	1,8682
70	50	4	4	6,274	4,9251	1,7514	3,2486	49,1441	14,0412	16,1451	4,9699	0,3346	1,8072
70	50	5	5	7,6781	6,0273	1,8229	3,1771	58,1896	16,6256	19,4991	6,1374	0,6398	1,7417
80	40	2,8	3	4,2174	3,3107	1,1705	2,8295	41,35	10,3375	6,6845	2,3624	0,1102	1,3494
80	40	3	3	4,5041	3,5357	1,1794	2,8206	43,9213	10,9803	7,1165	2,523	0,1351	1,3361
80	40	4	4	5,874	4,6111	1,2385	2,7615	55,5217	13,8804	9,1616	3,3176	0,3133	1,2757
80	40	5	5	7,1781	5,6348	1,2972	2,7028	65,721	16,4303	11,074	4,0972	0,5982	1,2121
80	45	4	4	6,274	4,9251	1,4428	3,0572	61,303	15,3257	12,6957	4,1527	0,3346	1,5143
80	45	5	5	7,6781	6,0273	1,5055	2,9945	72,7627	18,1907	15,3564	5,1282	0,6398	1,4509
80	50	2,8	3	4,7774	3,7503	1,5773	3,4227	49,6975	12,4244	12,3511	3,6086	0,1249	1,8276
80	50	3	3	5,1041	4,0067	1,5867	3,4133	52,8193	13,2048	13,1574	3,8547	0,1531	1,8144
80	50	4	4	6,674	5,2391	1,6529	3,3471	67,0844	16,7711	16,9824	5,0738	0,3559	1,7548
80	50	5	5	8,1781	6,4198	1,7192	3,2808	79,8044	19,9511	20,5624	6,2675	0,6815	1,6917
80	60	2,8	3	5,3374	4,1899	2,0043	3,9957	58,0449	14,5112	20,3248	5,0867	0,1395	2,312
80	60	3	3	5,7041	4,4777	2,0142	3,9858	61,7173	15,4293	21,6634	5,4351	0,1711	2,2989
80	60	4	4	7,474	5,8671	2,0866	3,9134	78,647	19,6618	28,0339	7,1636	0,3986	2,2399
80	60	5	5	9,1781	7,2048	2,1594	3,8406	93,8877	23,4719	34,0195	8,8579	0,7648	2,1771
80	60	6	6	10,817	8,491	2,2329	3,7671	107,5165	26,8791	39,6382	10,5222	1,298	2,1101
80	70	4	4	8,274	6,4951	2,5337	4,4663	90,2097	22,5524	42,7474	9,5711	0,4413	2,7288
80	70	5	5	10,178	7,9898	2,6121	4,3879	107,971	26,9928	51,9818	11,8466	0,8482	2,6662
85	55	4	4	7,274	5,7101	1,8194	3,6806	83,8597	19,7317	22,5806	6,135	0,3879	1,9703
90	40	3	3	4,8041	3,7712	1,1122	2,8878	57,9623	12,8805	7,4032	2,5636	0,1441	1,2895
90	50	3	3	5,4041	4,2422	1,5037	3,4963	69,3203	15,4045	13,7106	3,9215	0,1621	1,7629
90	50	4	4	7,074	5,5531	1,5661	3,4339	88,3616	19,6359	17,7294	5,1631	0,3773	1,7041
90	50	5	5	8,6781	6,8123	1,6284	3,3716	105,5082	23,4463	21,5124	6,3805	0,7232	1,6424
90	60	4	4	7,874	6,1811	1,9859	4,0141	103,1643	22,9254	29,2896	7,2967	0,4199	2,1857
100	40	3	3	5,1041	4,0067	1,0532	2,9468	74,4054	14,8811	7,6579	2,5987	0,1531	1,2455
100	40	4	4	6,674	5,2391	1,1066	2,8934	94,7332	18,9466	9,9024	3,4224	0,3559	1,1862
100	50	2,8	3	5,3374	4,1899	1,4208	3,5792	83,1916	16,6383	13,3308	3,7245	0,1395	1,7267
100	50	3	3	5,7041	4,4777	1,4297	3,5703	88,5234	17,7047	14,2073	3,9793	0,1711	1,7136
100	50	4	4	7,474	5,8671	1,4891	3,5109	113,1758	22,6352	18,4006	5,241	0,3986	1,6554
100	50	5	5	9,1781	7,2048	1,5482	3,4518	135,5511	27,1102	22,3673	6,4799	0,7648	1,5946
100	50	6	6	10,817	8,491	1,6069	3,3931	155,7371	31,1474	26,1268	7,7	1,298	1,5314
100	60	3	3	6,3041	4,9487	1,8306	4,1694	102,6414	20,5283	23,4442	5,6229	0,1891	2,1905
100	60	4	4	8,274	6,4951	1,8954	4,1046	131,6185	26,3237	30,4279	7,4131	0,4413	2,1331
100	60	5	5	10,178	7,9898	1,9603	4,0397	158,1344	31,6269	37,0455	9,1704	0,8482	2,073
100	60	6	6	12,017	9,433	2,0252	3,9748	182,2811	36,4562	43,319	10,8984	1,442	2,0101
100	70	3	3	6,9041	5,4197	2,2493	4,7507	116,7594	23,3519	35,7116	7,5171	0,2071	2,6729
100	70	4	4	9,074	7,1231	2,319	4,681	150,0612	30,0122	46,44	9,921	0,4839	2,6162
100	70	5	5	11,178	8,7748	2,389	4,611	180,7177	36,1435	56,6348	12,2825	0,9315	2,5567
100	70	6	6	13,217	10,375	2,4594	4,5406	208,8251	41,765	66,3217	14,6064	1,586	2,4941
100	80	3	3	7,5041	5,8907	2,6813	5,3187	130,8774	26,1755	51,3388	9,6525	0,2251	3,159
100	80	4	4	9,874	7,7511	2,7554	5,2446	168,5038	33,7008	66,8739	12,751	0,5266	3,103
100	80	5	5	12,178	9,5598	2,83	5,17	203,3011	40,6602	81,6797	15,7988	1,0148	3,0439
100	80	6	6	14,417	11,317	2,9052	5,0948	235,3691	47,0738	95,7853	18,8006	1,73	2,9816
110	50	3	3	6,0041	4,7132	1,3635	3,6365	110,5785	20,1052	14,656	4,0302	0,1801	1,6666
110	50	4	4	7,874	6,1811	1,4203	3,5797	141,7271	25,7686	19,0073	5,3097	0,4199	1,6086
110	50	5	5	9,6781	7,5973	1,4768	3,5232	170,183	30,9424	23,1413	6,5683	0,8065	1,5485
110	55	4	4	8,274	6,4951	1,6143	3,8857	152,9684	27,8124	24,7479	6,369	0,4413	1,8445
120	40	3	3	5,7041	4,4777	0,9545	3,0455	115,0977	19,183	8,0915	2,6569	0,1711	1,1646
120	40	4	4	7,474	5,8671	1,0044	2,9956	147,2926	24,5488	10,4996	3,505	0,3986	1,1055
120	50	3	3	6,3041	4,9487	1,3037	3,6963	135,6357	22,606	15,0633	4,0752	0,1891	1,6218
120	50	4	4	8,274	6,4951	1,3585	3,6415	174,2153	29,0359	19,5589	5,3711	0,4413	1,5639
120	50	5	5	10,178	7,9898	1,4128	3,5872	209,654	34,9423	23,8462	6,6476	0,8482	1,5042
120	50	6	6	12,017	9,433	1,4665	3,5335	242,0547	40,3424	27,9505	7,9101	1,442	1,4427
120	55	6	6	12,617	9,904	1,6594	3,8406	261,5667	43,5945	36,4273	9,4848	1,514	1,6771
120	60	3	3	6,9041	5,4197	1,6799	4,3201	156,1737	26,0289	24,9211	5,7686	0,2071	2,0903
120	60	4	4	9,074	7,1231	1,7395	4,2605	201,1379	33,523	32,4138	7,608	0,4839	2,0334
120	60	5	5	11,178	8,7748	1,7988	4,2012	242,7373	40,4562	39,5578	9,4158	0,9315	1,9745
120	60	6	6	13,217	10,375	1,8578	4,1422	281,0787	46,8465	46,3807	11,1971	1,586	1,9136
120	80	3	3	8,1041	6,3617	2,4889	5,5111	197,2497	32,8749	54,7318	9,9312	0,2431	3,0468
120	80	4	4	10,674	8,3791	2,5569	5,4431	254,9833	42,4972	71,4191	13,121	0,5693	2,9915
120	80	5	5	13,178	10,3448	2,6251	5,3749	308,904	51,484	87,396	16,26	1,0982	2,9339
120	80	6	6	15,617	12,259	2,6935	5,3065	359,1267	59,8545	102,696	19,3529	1,874	2,874
140	50	3	3	6,9041	5,4197	1,2003	3,7997	195,3563	27,908	15,7757	4,1518	0,2071	1,5382
140	50	4	4	9,074	7,1231	1,252	3,748	251,8027	35,9718	20,5255	5,4764	0,4839	1,4802
140	50	5	5	11,178	8,7748	1,303	3,697	304,113	43,4447	25,0852	6,7853	0,9315	1,4209
140	50	6	6	13,217	10,375	1,3533	3,6467	352,4052	50,3436	29,4864	8,0858	1,586	1,3603
140	60	3	3	7,5041	5,8907	1,5541	4,4459	223,5143	31,9306	26,1668	5,8856	0,2251	1,9978

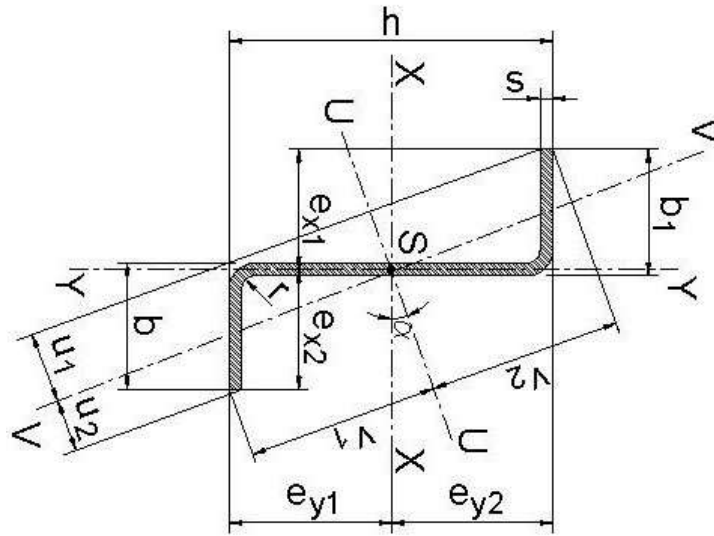
140	60	4	4	9,874	7,7511	1,6098	4,3902	288,8053	41,2579	34,0898	7,765	0,5266	1,9409
140	60	5	5	12,178	9,5598	1,6651	4,3349	349,6964	49,9566	41,6813	9,6153	1,0148	1,8825
140	60	6	6	14,417	11,317	1,72	4,28	406,3092	58,0442	48,9747	11,4427	1,73	1,8225
140	70	3	3	8,1041	6,3617	1,9301	5,0699	251,6723	35,9532	40,0079	7,8913	0,2431	2,4664
140	70	4	4	10,674	8,3791	1,9897	5,0103	325,808	46,544	52,2012	10,4188	0,5693	2,4105
140	70	5	5	13,178	10,3448	2,0492	4,9508	395,2797	56,4685	63,8955	12,9061	1,0982	2,3529
140	70	6	6	15,617	12,259	2,1084	4,8916	460,2132	65,7447	75,1266	15,3583	1,874	2,2936
140	80	3	3	8,7041	6,8327	2,3236	5,6764	279,8303	39,9758	57,6616	10,1581	0,2611	2,9413
140	80	4	4	11,474	9,0071	2,387	5,613	362,8107	51,8301	75,3417	13,4227	0,6119	2,8862
140	80	5	5	14,178	11,1298	2,4503	5,5497	440,863	62,9804	92,3283	16,6366	1,1815	2,8293
140	80	6	6	16,817	13,201	2,5136	5,4864	514,1172	73,4453	108,6601	19,8054	2,018	2,7706
150	50	4	4	9,474	7,4371	1,2057	3,7943	297,3019	39,6403	20,9519	5,5219	0,5053	1,4411
150	50	5	5	11,678	9,1673	1,2555	3,7445	359,6012	47,9468	25,6338	6,8457	0,9732	1,3819
150	60	4	4	10,274	8,0651	1,5528	4,4472	339,9445	45,3259	34,8341	7,8328	0,5479	1,8973
150	60	5	5	12,678	9,9523	1,6066	4,3934	412,1845	54,9579	42,6257	9,7022	1,0565	1,839
150	70	5	5	13,678	10,7373	1,9805	5,0195	464,7678	61,969	65,3926	13,0277	1,1398	2,3057
160	50	3	3	7,5041	5,8907	1,1138	3,8862	268,8851	33,6106	16,3788	4,2146	0,2251	1,4619
160	50	4	4	9,874	7,7511	1,1633	3,8367	347,538	43,4423	21,3465	5,5638	0,5266	1,4037
160	50	5	5	12,178	9,5598	1,2121	3,7879	420,9283	52,616	26,1427	6,9016	1,0148	1,3445
160	50	6	6	14,417	11,317	1,2601	3,7399	489,1886	61,1486	30,8052	8,2369	1,73	1,2842
160	60	3	3	8,1041	6,3617	1,4473	4,5527	305,8631	38,2329	27,2325	5,9816	0,2431	1,9124
160	60	4	4	10,674	8,3791	1,5003	4,4997	396,2207	49,5276	35,5253	7,895	0,5693	1,8553
160	60	5	5	13,178	10,3448	1,5527	4,4473	481,0117	60,1265	43,5036	9,782	1,0982	1,797
160	60	6	6	15,617	12,259	1,6047	4,3953	560,3726	70,0466	51,2073	11,6505	1,874	1,7375
160	65	3	3	8,4041	6,5972	1,6232	4,8768	324,3521	40,544	33,997	6,9712	0,2521	2,1419
160	65	4	4	11,074	8,6931	1,6779	4,8221	420,562	52,5703	44,3789	9,2032	0,5906	2,0853
160	65	5	5	13,678	10,7373	1,7322	4,7678	511,0533	63,8817	54,3653	11,4026	1,1398	2,0274
160	65	6	6	16,217	12,73	1,786	4,714	595,9646	74,4956	63,9969	13,5759	1,946	1,9683
160	70	3	3	8,7041	6,8327	1,8043	5,1957	342,8411	42,8551	41,7183	8,0294	0,2611	2,3736
160	70	4	4	11,474	9,0071	1,8607	5,1393	444,9034	55,6129	54,495	10,6036	0,6119	2,3174
160	70	5	5	14,178	11,1298	1,9168	5,0832	541,095	67,6369	66,7889	13,1391	1,1815	2,26
160	70	6	6	16,817	13,201	1,9725	5,0275	631,5566	78,9446	78,6415	15,6423	2,018	2,2012
160	80	3	3	9,3041	7,3037	2,1802	5,8198	379,8191	47,4774	60,2177	10,347	0,2791	2,8423
160	80	4	4	12,274	9,6351	2,2399	5,7601	493,586	61,6983	78,7629	13,6739	0,6546	2,787
160	80	5	5	15,178	11,9148	2,2995	5,7005	601,1783	75,1473	96,6306	16,9512	1,2648	2,7304
160	80	6	6	18,017	14,143	2,3589	5,6411	702,7406	87,8426	113,8648	20,1849	2,162	2,6722
180	60	3	3	8,7041	6,8327	1,3556	4,6444	404,4201	44,9356	28,1552	6,0622	0,2611	1,8333
180	60	4	4	11,474	9,0071	1,4065	4,5935	524,984	58,3316	36,7701	8,0048	0,6119	1,7759
180	60	5	5	14,178	11,1298	1,4569	4,5431	638,6831	70,9648	45,088	9,9245	1,1815	1,7176
180	60	6	6	16,817	13,201	1,5066	4,4934	745,6689	82,8521	53,1542	11,8294	2,018	1,6583
180	70	3	3	9,3041	7,3037	1,6951	5,3049	451,4181	50,1576	43,212	8,1457	0,2791	2,2869
180	70	4	4	12,274	9,6351	1,749	5,251	586,9467	65,2163	56,499	10,7597	0,6546	2,2305
180	70	5	5	15,178	11,9148	1,8025	5,1975	715,2665	79,4741	69,3192	13,337	1,2648	2,173
180	70	6	6	18,017	14,143	1,8556	5,1444	836,5329	92,9481	81,7203	15,8853	2,162	2,1144
180	80	3	3	9,9041	7,7747	2,0545	5,9455	498,4161	55,3796	62,4679	10,5068	0,2971	2,7492
180	80	4	4	13,074	10,2631	2,1114	5,8886	648,9094	72,101	81,7745	13,8869	0,6973	2,6936
180	80	5	5	16,178	12,6998	2,168	5,832	791,8498	87,9833	100,4187	17,2186	1,3482	2,637
180	80	6	6	19,217	15,085	2,2244	5,7756	927,3969	103,0441	118,4507	20,5088	2,306	2,5791
200	60	3	3	9,3041	7,3037	1,2761	4,7239	520,3854	52,0385	28,9626	6,1311	0,2791	1,76
200	60	4	4	12,274	9,6351	1,3254	4,6746	676,6953	67,6695	37,8616	8,0994	0,6546	1,7023
200	60	5	5	15,178	11,9148	1,3741	4,6259	824,7108	82,4711	46,4808	10,0479	1,2648	1,6438
200	60	6	6	18,017	14,143	1,4223	4,5777	964,5981	96,4598	54,8724	11,9869	2,162	1,5845
200	65	3	3	9,6041	7,5392	1,435	5,065	549,4944	54,9494	36,2247	7,152	0,2881	1,9815
200	65	4	4	12,674	9,9491	1,4856	5,0144	715,1166	71,5117	47,376	9,448	0,6759	1,9243
200	65	5	5	15,678	12,3073	1,5357	4,9643	872,2525	87,2253	58,1652	11,7167	1,3065	1,8662
200	65	6	6	18,617	14,614	1,5853	4,9147	1021,0701	102,107	68,6452	13,9673	2,234	1,8073
200	70	6	6	19,217	15,085	1,754	5,246	1077,5421	107,7542	84,4439	16,0968	2,306	2,0329
200	80	3	3	10,504	8,2457	1,9435	6,0565	636,8214	63,6821	64,4644	10,6438	0,3151	2,6615
200	80	4	4	13,874	10,8911	1,9981	6,0019	830,3806	83,0381	84,447	14,07	0,7399	2,6057
200	80	5	5	17,178	13,4848	2,0524	5,9476	1014,8775	101,4878	103,7821	17,4494	1,4315	2,5489
200	80	6	6	20,417	16,027	2,1064	5,8936	1190,4861	119,0486	122,5258	20,7896	2,45	2,491
200	100	4	4	15,474	12,1471	2,7402	7,2598	984,066	98,4066	156,2092	21,517	0,8253	3,5392
200	100	5	5	19,178	15,0548	2,7999	7,2001	1205,0441	120,5044	192,2924	26,7069	1,5982	3,4838
200	100	6	6	22,817	17,911	2,8595	7,1405	1416,3741	141,6374	227,3171	31,8349	2,738	3,4273
250	75	6	6	22,817	17,911	1,7055	5,7945	1942,7812	155,4225	109,3183	18,8659	2,738	2,0695
250	80	4	4	15,874	12,4611	1,766	6,234	1408,9562	112,7165	89,9801	14,4338	0,8466	2,4069
250	80	5	5	19,678	15,4473	1,8163	6,1837	1727,13	138,1704	110,755	17,9108	1,6398	2,3495
250	80	6	6	23,417	18,382	1,8662	6,1338	2032,1032	162,5683	130,9909	21,3556	2,81	2,2915



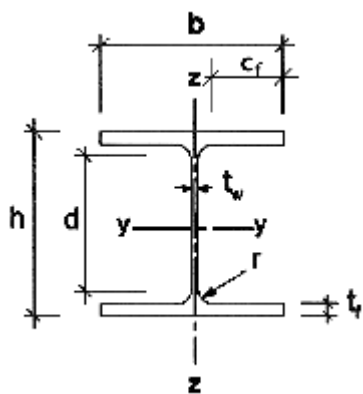
b	b ₁	s	r	A	M	e _{x1}	e _{y1}	e _{x2}	e _{y2}	U ₁	U ₂	V ₁	V ₂	I _x	K _x	I _y	K _y	tg(α)	I _u	K _u	I _v	K _v	I _t
(mm)	(mm)	(mm)	(mm)	(cm ²)	(kg/m)	(cm)	(cm)	(cm)	(cm)	(cm)	(cm)	(cm)	(cm)	(cm ⁴)	(cm ³)	(cm ⁴)	(cm ³)		(cm ⁴)	(cm ³)	(cm ⁴)	(cm ³)	(cm ⁴)
70	35	2	2	2,7685	2,1733	2,2377	1,52	4,762	2,4804	2,302	2,777	4,869	3,0434	7,5285	3,0352	11,872	2,493	1,679	14,2586	2,9283	5,1419	1,8516	0,037
70	35	3	3	4,0541	3,1825	2,3024	1,521	4,698	2,4791	2,246	2,746	4,832	3,0116	10,4195	4,2029	17,129	3,646	1,744	20,4163	4,2255	7,1319	2,5969	0,122
70	40	2	2	2,8685	2,2518	2,2904	1,603	4,71	2,3974	2,398	2,934	4,869	3,0442	8,0757	3,3685	12,095	2,568	1,69	14,2609	2,9288	5,9096	2,0142	0,038
70	40	3	3	4,2041	3,3002	2,354	1,604	4,646	2,396	2,34	2,897	4,831	3,0128	11,2054	4,6767	17,435	3,753	1,757	20,4205	4,2268	8,2199	2,8378	0,126
50	25	2	2	2,3685	1,8593	1,3574	1,993	3,643	3,0067	1,968	2,365	3,41	3,1599	9,3472	3,1088	5,0232	1,379	0,499	10,7804	3,1615	3,59	1,5181	0,032
50	25	2,5	2,5	2,9195	2,2918	1,3849	1,992	3,615	3,0084	1,966	2,36	3,416	3,1367	11,2459	3,7382	6,1434	1,699	0,51	13,0373	3,8164	4,352	1,8443	0,061
100	50	3	3	5,7041	4,4777	3,3207	1,882	6,679	3,118	2,897	3,534	6,857	4,1213	24,1452	7,7438	49,642	7,432	2,187	56,3811	8,2223	17,406	4,9254	0,171
100	50	4	4	7,474	5,8671	3,3878	1,885	6,612	3,1155	2,844	3,502	6,807	4,1062	30,2501	9,7095	64,31	9,726	2,244	72,7493	10,688	21,811	6,2281	0,399
60	30	2,5	2,5	3,5445	2,7824	1,6344	2,392	4,366	3,6083	2,361	2,837	4,093	3,7872	20,0625	5,5601	10,811	2,476	0,501	23,1581	5,6578	7,7152	2,7199	0,074
60	30	3	3	4,2041	3,3002	1,6618	2,39	4,338	3,6101	2,359	2,832	4,099	3,764	23,3195	6,4595	12,739	2,937	0,51	27,0341	6,5946	9,0244	3,1869	0,126
70	35	2,5	2,5	4,1695	3,2731	1,8841	2,792	5,116	4,2082	2,757	3,314	4,77	4,4375	32,5847	7,7431	17,39	3,399	0,495	37,5011	7,8617	12,474	3,7643	0,087
70	35	3	3	4,9541	3,889	1,9113	2,79	5,089	4,21	2,754	3,309	4,776	4,4146	38,0574	9,0398	20,547	4,038	0,502	43,9561	9,203	14,649	4,4276	0,149
80	40	2,5	2,5	4,7945	3,7637	2,1338	3,192	5,866	4,8082	3,151	3,791	5,447	5,0877	49,4626	10,287	26,209	4,468	0,49	56,8024	10,428	18,869	4,9773	0,1
80	40	3	3	5,7041	4,4777	2,161	3,19	5,839	4,8099	3,15	3,786	5,453	5,065	57,9754	12,053	31,03	5,314	0,496	66,7814	12,246	22,224	5,8707	0,171
80	40	4	4	7,474	5,8671	2,2158	3,187	5,784	4,8135	3,145	3,776	5,466	5,0187	73,701	15,311	40,261	6,961	0,51	85,4409	15,632	28,522	7,5542	0,399
80	50	3	3	6,6041	5,1842	2,0845	4,339	5,916	5,6609	2,952	4,209	5,652	5,8702	106,815	18,869	35,089	5,932	0,252	111,67	19,023	30,234	7,1829	0,198
80	50	4	4	8,674	6,8091	2,1352	4,336	5,865	5,6641	2,974	4,185	5,66	5,8434	137,015	24,19	45,587	7,773	0,257	143,483	24,555	39,119	9,348	0,463
80	40	3	3	8,7041	6,8327	1,4679	7,78	6,532	10,22	2,415	3,868	8,579	10,25	391,463	38,303	39,003	5,971	0,134	397,919	38,821	32,547	8,4146	0,261
80	40	4	4	11,474	9,0071	1,513	7,773	6,487	10,227	2,445	3,841	8,575	10,237	507,706	49,643	50,902	7,847	0,136	516,288	50,432	42,32	11,018	0,612
80	40	5	5	14,178	11,1298	1,5584	7,766	6,442	10,234	2,476	3,814	8,571	10,224	617,083	60,296	62,281	9,669	0,138	627,782	61,402	51,582	13,526	1,182
80	40	3	3	9,3041	7,3037	1,3829	8,73	6,617	11,27	2,312	3,895	9,432	11,29	505,369	44,84	39,982	6,042	0,116	511,685	45,324	33,667	8,6431	0,279
80	40	4	4	12,274	9,6351	1,4274	8,723	6,573	11,278	2,344	3,866	9,427	11,279	656,664	58,228	52,202	7,942	0,117	665,057	58,962	43,809	11,332	0,655
80	40	5	5	15,178	11,9148	1,4722	8,715	6,528	11,285	2,376	3,837	9,422	11,269	799,658	70,862	63,901	9,789	0,118	810,118	71,89	53,441	13,93	1,265



h	b	c	s	r	A	M	e _{x1}	e _{x2}	I _x	K _x	I _y	K _y	I _T	X _T
(mm)	(mm)	(mm)	(mm)	(mm)	(cm ²)	(kg/m)	(cm)	(cm)	(cm ⁴)	(cm ³)	(cm ⁴)	(cm ³)	(cm ⁴)	(cm)
28	28	8	2	2	1,737	1,3635	1,22	1,58	2,0513	1,4652	1,7041	1,0788	0,023	1,445
30	30	10	2	2	1,937	1,5205	1,355	1,645	2,5853	1,7235	2,2888	1,3917	0,026	1,638
35	35	8	2	2	2,157	1,6932	1,459	2,041	4,2032	2,4018	3,2894	1,6119	0,029	1,763
36	36	9	2,5	2,5	2,7605	2,167	1,527	2,073	5,5007	3,0559	4,4047	2,1248	0,058	1,802
40	40	10	2	2	2,537	1,9915	1,7	2,3	6,4469	3,2234	5,2672	2,2905	0,034	2,116
50	25	12,5	2	2	2,237	1,756	0,993	1,507	7,2732	2,9093	1,9986	1,3262	0,03	1,418
50	25	12,5	2,5	2,5	2,714	2,1305	0,991	1,509	8,6704	3,4682	2,302	1,5254	0,057	1,342
50	30	20	3	3	3,9082	3,0679	1,396	1,604	12,0501	4,82	5,1091	3,186	0,117	1,799
50	40	20	3	3	4,5082	3,5389	1,877	2,123	15,3681	6,1472	10,2842	4,844	0,135	2,343
60	30	15	2	2	2,737	2,1485	1,193	1,807	12,9463	4,3154	3,6421	2,0157	0,037	1,764
60	30	15	2,5	2,5	3,339	2,6211	1,191	1,809	15,5734	5,1911	4,2593	2,3548	0,07	1,688
60	30	15	3	3	3,9082	3,0679	1,189	1,811	17,9628	5,9876	4,7734	2,6359	0,117	1,612
80	40	15	2,5	2,5	4,339	3,4061	1,46	2,54	38,2514	9,5628	9,5898	3,7754	0,09	2,106
80	40	15	3	3	5,1082	4,0099	1,457	2,543	44,6706	11,168	10,9031	4,2872	0,153	2,024
80	40	20	2	2	3,737	2,9335	1,593	2,407	31,8103	7,9526	9,2126	3,8279	0,05	2,459
80	40	20	2,5	2,5	4,589	3,6024	1,591	2,409	38,6723	9,6681	10,9699	4,5545	0,096	2,381
80	40	20	3	3	5,4082	4,2454	1,59	2,411	45,1066	11,277	12,5283	5,1974	0,162	2,304
100	40	15	2,5	2,5	4,839	3,7986	1,322	2,678	64,4721	12,894	10,3912	3,8801	0,101	1,985
100	40	15	3	3	5,7082	4,4809	1,319	2,681	75,6368	15,127	11,8244	4,4111	0,171	1,902
100	50	25	2,5	2,5	5,839	4,5836	1,992	3,008	77,5992	15,52	22,4918	7,4763	0,122	3,076
100	50	25	3	3	6,9082	5,4229	1,99	3,01	91,0768	18,215	25,9635	8,6249	0,207	2,998
100	50	25	4	4	8,948	7,0242	1,986	3,014	116,032	23,206	31,9778	10,609	0,477	2,845
120	40	15	2,5	2,5	5,339	4,1911	1,21	2,79	99,3709	16,562	11,0431	3,9578	0,111	1,87
120	40	15	3	3	6,3082	4,9519	1,208	2,792	116,94	19,49	12,5714	4,503	0,189	1,788
120	60	30	2,5	2,5	7,089	5,5649	2,392	3,608	136,479	22,747	40,125	11,12	0,148	3,772
120	60	30	3	3	8,4082	6,6004	2,39	3,61	160,824	26,804	46,639	12,919	0,252	3,694
120	60	30	4	4	10,948	8,5942	2,386	3,614	206,612	34,435	58,2743	16,126	0,584	3,538
140	40	15	3	3	6,9082	5,4229	1,116	2,884	169,779	24,254	13,1894	4,5738	0,207	1,684
140	70	35	3	3	9,9082	7,7779	2,79	4,21	259,297	37,042	76,1147	18,08	0,297	4,389
140	70	35	4	4	12,948	10,164	2,786	4,214	335,048	47,864	96,0557	22,797	0,691	4,233
150	75	35	3	3	10,508	8,2489	2,928	4,572	319,466	42,596	91,7469	20,066	0,315	4,617
150	75	40	4	4	14,148	11,106	3,047	4,453	417,428	55,657	123,575	27,753	0,755	4,694
150	75	45	5	5	17,856	14,017	3,162	4,338	511,544	68,206	155,37	35,816	1,488	4,743
160	40	15	3	3	7,5082	5,8939	1,039	2,961	235,354	29,419	13,7093	4,6301	0,225	1,59
180	40	15	3	3	8,1082	6,3649	0,973	3,027	314,866	34,985	14,153	4,676	0,243	1,505
180	75	35	3	3	11,408	8,9554	2,709	4,791	484,643	53,849	98,1503	20,485	0,342	4,456
180	75	40	4	4	15,348	12,048	2,825	4,675	634,123	70,458	132,559	28,354	0,819	4,556
180	75	45	5	5	19,356	15,195	2,936	4,564	777,941	86,438	167,135	36,623	1,613	4,637
200	40	15	3	3	8,7082	6,8359	0,917	3,084	409,515	40,952	14,5361	4,7142	0,261	1,427
200	75	35	3	3	12,008	9,4264	2,581	4,919	618,682	61,868	101,887	20,712	0,36	4,34
200	75	40	4	4	16,148	12,676	2,695	4,805	810,223	81,022	137,809	28,679	0,861	4,447
200	75	45	5	5	20,356	15,98	2,804	4,696	994,763	99,476	174,018	37,059	1,696	4,539



h (mm)	b (mm)	b ₁ (mm)	s (mm)	r (mm)	a (cm ²)	M (kg/m)	e _{x1} (cm)	e _{x2} (cm)	e _{y1} (cm)	e _{y2} (cm)	I _x (cm ⁴)	I _y (cm ⁴)	tg(α)	u ₁ (cm)	u ₂ (cm)	v ₁ (cm)	v ₂ (cm)	K _x (cm ³)	K _y (cm ³)	I _u (cm ⁴)	K _u (cm ³)	I _v (cm ⁴)	K _v (cm ³)	I _T (cm ⁴)
40	20	42	2	3	1,891	1,4847	3,4021	2,5979	2,4421	1,5579	4,6212	4,1335	0,9	0,654	0,432	3,5531	1,474	1,8923	1,215	6,6954	1,8844	2,0593	3,1497	0,0252
50	25	30	2	2	1,969	1,5453	2,7654	2,5346	2,6219	2,3781	7,6206	2,515	0,466	1,01	1,275	3,4469	2,181	2,9065	0,9095	9,0352	2,6213	1,1004	0,8631	0,0262
50	25	30	3	4	2,828	2,2203	2,7121	2,4879	2,6246	2,3754	10,3577	3,5702	0,482	0,967	1,233	3,4441	2,179	3,9464	1,3164	12,4055	3,602	1,5224	1,2345	0,0849
50	25	30	4	4	3,674	2,8841	2,6612	2,4388	2,6252	2,3748	12,871	4,5028	0,485	0,944	1,223	3,4264	2,17	4,9029	1,692	15,4474	4,5083	1,9264	1,5751	0,1959
50	30	30	2	2	2,069	1,6238	2,9	2,9	2,5	2,5	8,2262	3,2551	0,559	0,9	1,41	3,597	2,359	3,2905	1,1224	10,4833	2,9145	0,998	0,708	0,0276
50	30	30	3	4	2,978	2,338	2,85	2,85	2,5	2,5	11,2311	4,6411	0,579	0,858	1,364	3,5915	2,355	4,4924	1,6285	14,5548	4,0526	1,3174	0,9658	0,0894
50	30	30	4	4	3,874	3,0411	2,8	2,8	2,5	2,5	13,9893	5,8782	0,586	0,839	1,355	3,5722	2,342	5,5957	2,0994	18,2201	5,1005	1,6474	1,2156	0,2066
50	30	45	4	4	4,474	3,5121	3,8239	3,2761	2,8084	2,1916	16,7456	12,538	0,795	0,843	1,065	4,2372	2,011	5,9627	3,2789	23,9911	5,662	5,2927	4,9701	0,2386
50	30	45	3	4	3,428	2,6913	3,8774	3,3226	2,8084	2,1916	13,3934	9,792	0,782	0,873	1,073	4,2588	2,027	4,769	2,5254	19,0443	4,4718	4,1411	3,859	0,1029
60	30	30	3	4	3,278	2,5735	2,85	2,85	3	3	17,3348	4,6433	0,442	1,063	1,516	3,8957	2,813	5,7783	1,6292	20,4097	5,239	1,5684	1,0345	0,0984
60	30	30	4	4	4,274	3,3551	2,8	2,8	3	3	21,7755	5,8836	0,444	1,044	1,503	3,8785	2,805	7,2585	2,1013	25,6854	6,6225	1,9737	1,3131	0,2279
60	30	35	3	4	3,428	2,6913	3,2143	2,9857	3,1247	2,8753	18,501	6,0249	0,469	1,164	1,505	4,0962	2,638	5,9209	1,8744	22,0091	5,3731	2,5168	1,6718	0,1029
60	30	35	4	4	4,474	3,5121	3,1636	2,9364	3,1252	2,8748	23,2761	7,6651	0,471	1,141	1,494	4,0789	2,629	7,4479	2,4229	27,7354	6,7997	3,2058	2,1456	0,2386
100	40	50	3	4	5,378	4,222	4,6073	4,0927	5,2705	4,7295	80,4245	16,821	0,337	2,069	2,289	6,3022	4,26	15,2594	3,6509	88,5861	14,0564	8,6593	3,7827	0,1614
100	40	50	4	4	7,074	5,5531	4,5568	4,0432	5,2714	4,7286	103,433	21,695	0,337	2,046	2,275	6,2868	4,253	19,6216	4,761	113,922	18,1207	11,207	4,9258	0,3773
116	45	65	4,5	11	9,253	7,2638	5,7619	4,7881	6,3422	5,2578	179,946	46,465	0,36	2,459	2,508	7,5897	4,624	28,3728	8,0642	199,851	26,3318	26,561	10,5921	0,6246
140	50	50	3	4	6,878	5,3995	4,85	4,85	7	7	194,09	22,848	0,263	2,432	2,986	8,0034	6,572	27,7272	4,711	206,819	25,8413	10,12	3,3888	0,2064
140	50	50	4	4	9,074	7,1231	4,8	4,8	7	7	251,803	29,564	0,263	2,411	2,965	7,9902	6,57	35,9718	6,1591	268,285	33,5767	13,082	4,4124	0,4839
140	60	60	3	4	7,478	5,8705	5,85	5,85	7	7	222,248	40,072	0,341	2,557	3,373	8,5143	6,524	31,7498	6,8499	246,27	28,9242	16,051	4,7592	0,2244
140	60	60	4	4	9,874	7,7511	5,8	5,8	7	7	288,805	52,102	0,342	2,537	3,355	8,4991	6,519	41,2579	8,9831	320,086	37,6612	20,821	6,2058	0,5266
160	60	60	3	4	8,078	6,3415	5,85	5,85	8	8	304,21	40,076	0,281	2,839	3,547	9,2849	7,487	38,0263	6,8506	326,89	35,2067	17,396	4,904	0,2424
160	60	60	4	4	10,67	8,3791	5,8	5,8	8	8	396,221	52,113	0,281	2,818	3,527	9,2709	7,484	49,5276	8,985	425,742	45,9224	22,592	6,4046	0,5693
180	60	60	3	4	8,678	6,8125	5,85	5,85	9	9	402,329	40,081	0,237	3,072	3,687	10,106	8,468	44,7032	6,8514	423,872	41,9426	18,538	5,0274	0,2604
180	60	60	4	4	11,47	9,0071	5,8	5,8	9	9	524,984	52,124	0,237	3,05	3,665	10,093	8,466	58,3316	8,9868	553,014	54,7902	24,094	6,5745	0,6119



Jel	Méreték							Erős, y-y tengely		Gyenge z-z tengely			I _r
	G	h	b	t _w	t _f	r	A	I _y	K _y	A _{vz}	I _z	K _z	
	kg/m	mm	mm	mm	mm	mm	cm ²	cm ⁴	cm ³	cm ²	cm ⁴	cm ³	
IPE 80	6,0	80	46	3,8	5,2	5,0	7,64	80,1	20,0	3,58	8,49	3,69	0,70
IPE 100	8,1	100	55	4,1	5,7	7,0	10,32	171,0	34,2	5,08	15,92	5,79	1,20
IPE 120	10,4	120	64	4,4	6,3	7,0	13,21	317,8	53,0	6,31	27,67	8,65	1,74
IPE 140	12,9	140	73	4,7	6,9	7,0	16,43	541,2	77,3	7,64	44,92	12,31	2,45
IPE 160	15,8	160	82	5,0	7,4	9,0	20,09	869,3	108,7	9,66	68,31	16,66	3,60
IPE 180	18,8	180	91	5,3	8,0	9,0	23,95	1 317,0	146,3	11,25	100,85	22,16	4,79
IPE 200	22,4	200	100	5,6	8,5	12,0	28,48	1 943,2	194,3	14,00	142,37	28,47	6,98
IPE 220	26,2	220	110	5,9	9,2	12,0	33,37	2 771,8	252,0	15,88	204,89	37,25	9,07
IPE 240	30,7	240	120	6,2	9,8	15,0	39,12	3 891,6	324,3	19,14	283,63	47,27	12,88
IPE 270	36,1	270	135	6,6	10,2	15,0	45,95	5 789,8	428,9	22,14	419,87	62,20	15,94
IPE 300	42,2	300	150	7,1	10,7	15,0	53,81	8 356,1	557,1	25,68	603,78	80,50	20,12
IPE 330	49,1	330	160	7,5	11,5	18,0	62,61	11 770,0	713,1	30,81	788,14	98,52	28,15
IPE 360	57,1	360	170	8,0	12,7	18,0	72,73	16 270,0	903,6	35,14	1 043,45	122,76	37,32
IPE 400	66,3	400	180	8,6	13,5	21,0	84,46	23 130,0	1 156,4	42,69	1 317,82	146,42	51,08
IPE 450	77,6	450	190	9,4	14,6	21,0	98,82	33 740,0	1 499,7	50,85	1 675,86	176,41	66,87
IPE 500	90,7	500	200	10,2	16,0	21,0	115,52	48 200,0	1 927,9	59,87	2 141,68	214,17	89,29
IPE 550	105,5	550	210	11,1	17,2	24,0	134,42	67 120,0	2 440,6	72,34	2 667,58	254,06	123,24
IPE 600	122,4	600	220	12,0	19,0	24,0	155,98	92 080,0	3 069,4	83,78	3 387,34	307,94	165,42

Jel	Méreték							Erős, y-y tengely		Gyenge z-z tengely			I _r
	G	h	b	t _w	t _f	r	A	I _y	K _y	A _{vz}	I _z	K _z	
	kg/m	mm	mm	mm	mm	mm	cm ²	cm ⁴	cm ³	cm ²	cm ⁴	cm ³	
IPE A 80	5,0	78	46	3,3	4,2	5,0	6,38	64,4	16,5	3,07	6,85	2,98	0,42
IPE A 100	6,9	98	55	3,6	4,7	7,0	8,78	141,2	28,8	4,44	13,12	4,77	0,77
IPE A 120	8,7	118	64	3,8	5,1	7,0	11,03	257,4	43,8	5,41	22,39	7,00	1,04
IPE A 140	10,5	137	73	3,8	5,6	7,0	13,39	434,9	63,3	6,21	36,42	9,98	1,36
IPE A 160	12,7	157	82	4,0	5,9	9,0	16,18	689,3	87,8	7,80	54,43	13,27	1,96
IPE A 180	15,4	177	91	4,3	6,5	9,0	19,58	1 062,7	120,1	9,20	81,89	18,00	2,70
IPE A 200	18,4	197	100	4,5	7,0	12,0	23,47	1 591,5	161,6	11,47	117,17	23,43	4,11
IPE A 220	22,2	217	110	5,0	7,7	12,0	28,26	2 316,5	213,5	13,55	171,42	31,17	5,69
IPE A 240	26,2	237	120	5,2	8,3	15,0	33,31	3 290,5	277,7	16,31	240,13	40,02	8,35
IPE A 270	30,7	267	135	5,5	8,7	15,0	39,15	4 917,3	368,3	18,75	357,97	53,03	10,30
IPE A 300	36,5	297	150	6,1	9,2	15,0	46,53	7 173,5	483,1	22,25	518,97	69,20	13,43
IPE A 330	43,0	327	160	6,5	10,0	18,0	54,74	10 230,0	625,7	26,99	685,15	85,64	19,57
IPE A 360	50,2	358	170	6,6	11,5	18,0	63,96	14 520,0	811,8	29,76	944,27	111,09	26,51
IPE A 400	57,4	397	180	7,0	12,0	21,0	73,10	20 290,0	1 022,3	35,78	1 170,59	130,07	34,79
IPE A 450	67,2	447	190	7,6	13,1	21,0	85,55	29 760,0	1 331,5	42,26	1 502,40	158,15	45,67
IPE A 500	79,4	497	200	8,4	14,5	21,0	101,10	42 930,0	1 727,7	50,41	1 939,22	193,92	62,78
IPE A 550	92,1	547	210	9,0	15,7	24,0	117,29	59 980,0	2 193,0	60,30	2 432,23	231,64	86,53
IPE A 600	107,6	597	220	9,8	17,5	24,0	137,02	82 920,0	2 777,8	70,14	3 116,28	283,30	118,76

Jel	Méretek							Erős, y-y tengely		Gyenge z-z tengely			I _r
	G	h	b	t _w	t _f	r	A	I _y	K _y	A _z	I _z	K _z	
	kg/m	mm	mm	mm	mm	mm	cm ²	cm ⁴	cm ³	cm ²	cm ⁴	cm ³	
HE A 100	16,7	96	100	5,0	8,0	12,0	21,24	349,2	72,8	7,56	133,81	26,76	5,24
HE A 120	19,9	114	120	5,0	8,0	12,0	25,34	606,2	106,3	8,46	230,90	38,48	5,99
HE A 140	24,7	133	140	5,5	8,5	12,0	31,42	1 033,1	155,4	10,12	389,32	55,62	8,13
HE A160	30,4	152	160	6,0	9,0	15,0	38,77	1 673,0	220,1	13,21	615,57	76,95	12,19
HE A 180	35,5	171	180	6,0	9,5	15,0	45,25	2 510,3	293,6	14,47	924,60	102,73	14,80
HE A 200	42,3	190	200	6,5	10,0	18,0	53,83	3 692,1	388,6	18,08	1 335,51	133,55	20,98
HE A 220	50,5	210	220	7,0	11,0	18,0	64,34	5 409,7	515,2	20,67	1 954,56	177,69	28,46
HE A 240	60,3	230	240	7,5	12,0	21,0	76,84	7 763,2	675,1	25,18	2 768,81	230,73	41,55
HE A 260	68,2	250	260	7,5	12,5	24,0	86,82	10 450,0	836,4	28,76	3 667,56	282,12	52,37
HE A 280	76,4	270	280	8,0	13,0	24,0	97,26	13 670,0	1 012,8	31,74	4 762,64	340,19	62,10
HE A 300	88,3	290	300	8,5	14,0	27,0	112,53	18 260,0	1 259,5	37,28	6 309,55	420,64	85,17
HE A 320	97,6	310	300	9,0	15,5	27,0	124,37	22 930,0	1 479,3	41,13	6 985,23	465,68	107,97
HE A 340	104,8	330	300	9,5	16,5	27,0	133,47	27 690,0	1 678,4	44,95	7 435,99	495,73	127,20
HE A 360	112,1	350	300	10,0	17,5	27,0	142,76	33 090,0	1 890,8	48,96	7 886,84	525,79	148,82
HE A 400	124,8	390	300	11,0	19,0	27,0	158,98	45 070,0	2 311,2	57,33	8 563,82	570,92	189,04
HE A 450	139,8	440	300	11,5	21,0	27,0	178,03	63 720,0	2 896,4	65,78	9 465,32	631,02	243,76
HE A 500	155,1	490	300	12,0	23,0	27,0	197,54	86 970,0	3 550,0	74,72	10 370,00	691,14	309,27
HE A 550	166,2	540	300	12,5	24,0	27,0	211,76	111 900,0	4 145,6	83,72	10 820,00	721,27	351,54
HE A 600	177,8	590	300	13,0	25,0	27,0	226,46	141 200,0	4 786,7	93,21	11 270,00	751,42	397,81
HE A 650	189,7	640	300	13,5	26,0	27,0	241,64	175 200,0	5 474,3	103,19	11 720,00	781,59	448,30
HE A 700	204,5	690	300	14,5	27,0	27,0	260,48	215 300,0	6 240,6	116,97	12 180,00	811,92	513,89
HE A 800	224,4	790	300	15,0	28,0	30,0	285,83	303 400,0	7 682,1	138,83	12 640,00	842,58	596,87
HE A 900	251,6	890	300	16,0	30,0	30,0	320,53	422 100,0	9 484,8	163,33	13 550,00	903,16	736,77
HE A 1000	272,3	990	300	16,5	31,0	30,0	346,85	553 800,0	11 190,0	184,56	14 000,00	933,63	822,41